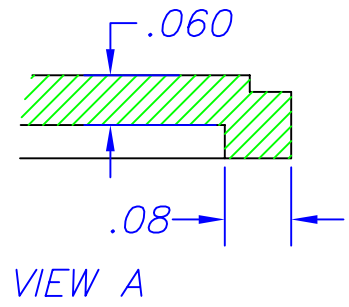
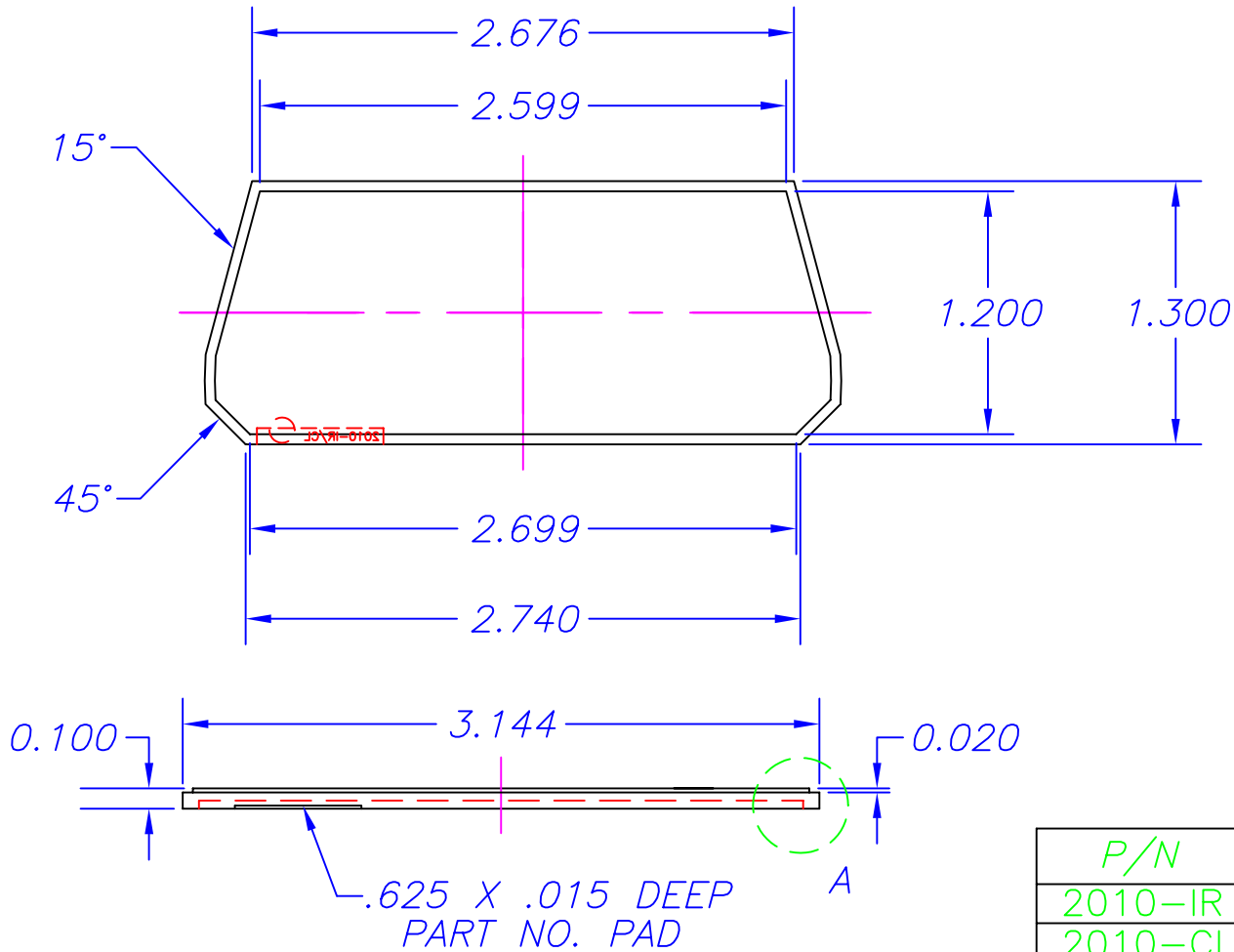


NO.	REVISION	DATE
N/A		5/96



P/N	MATERIAL
2010-IR	INFRARED LEXAN 101-21125
2010-CL	CLEAR TERLUX 2802TR(BASF)

TITLE			A-27 END PANEL IR/CL		DES.	D.CHAMBERS	6/93	P/N	2010,IR OR CL
TOLERANCE			MAT'L		DRWN.	ROB ROY		 612 COMMERCIAL AVE., COVINA, CA. 91723 (818) 331-0517 FAX: (818) 331-8584	
DECIMAL	FRAC.	ANG.	SHEET NO.	SCALE	CKD.				
.XX ±.010	.XXX ±.005	±1/64	±1/2°	1 1=1					
			NO. OF SHTS.	DWG NO.	APPR.				
			1	A-27IRCL					