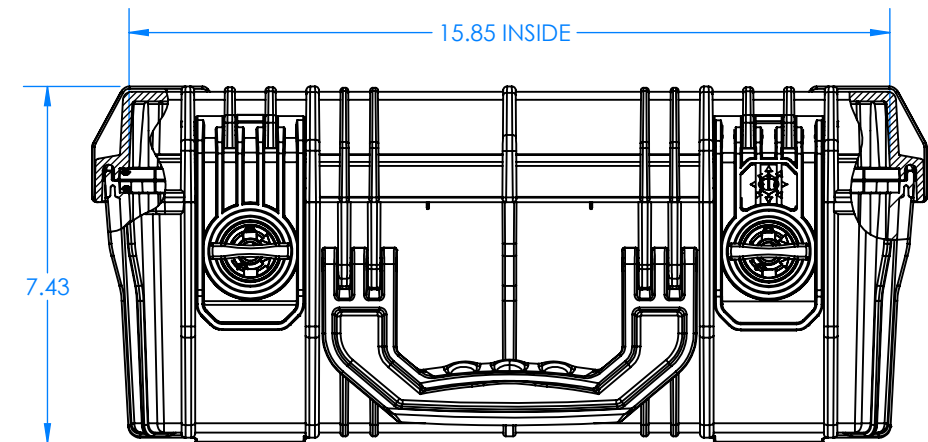
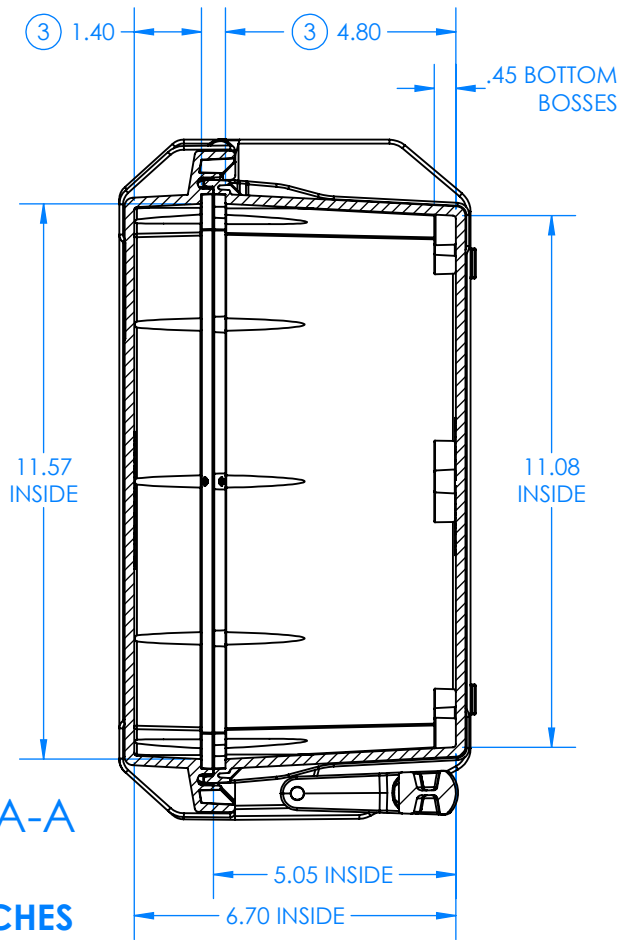
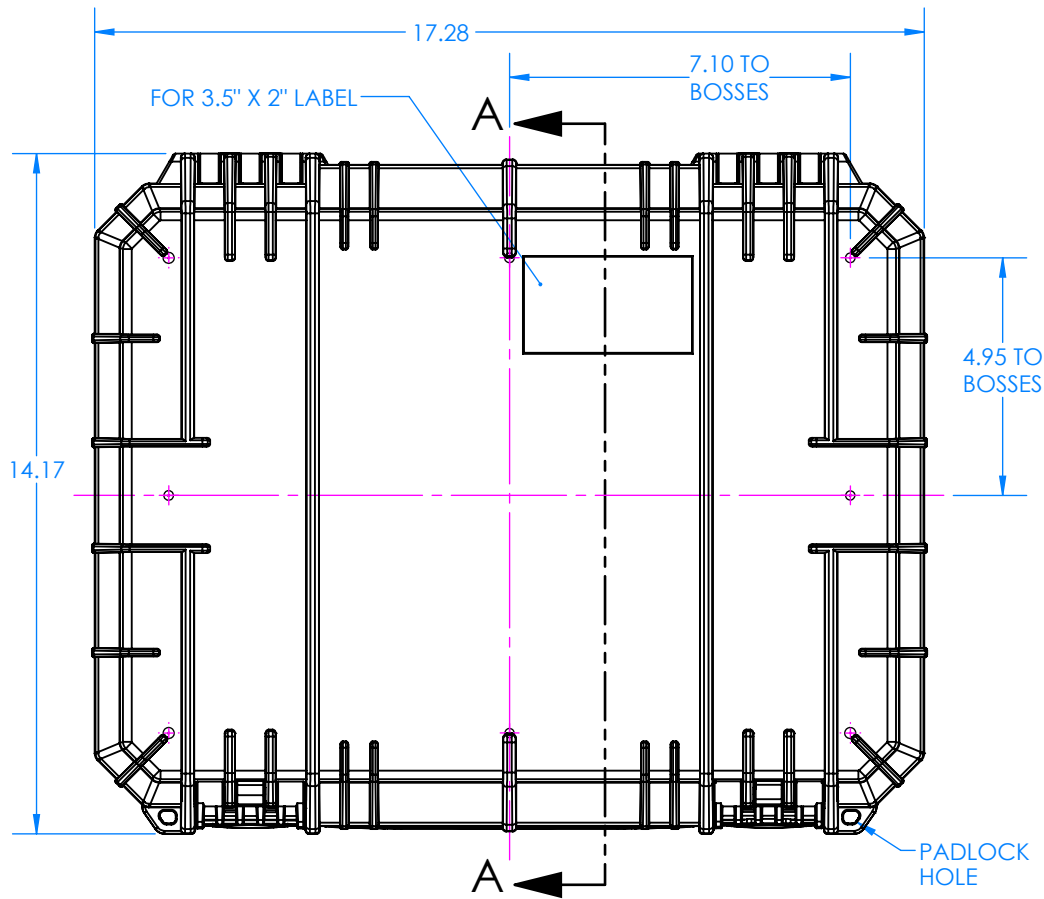
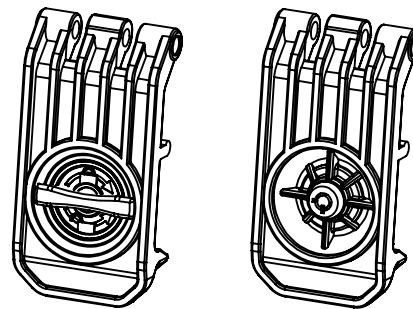


# SERPAC Electronic Enclosures 630HPS



## OPTIONAL LATCHES

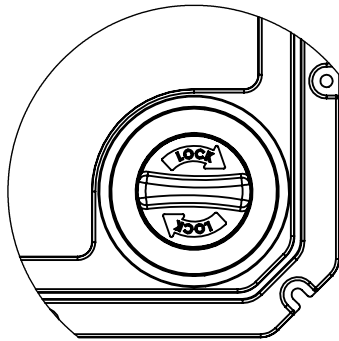
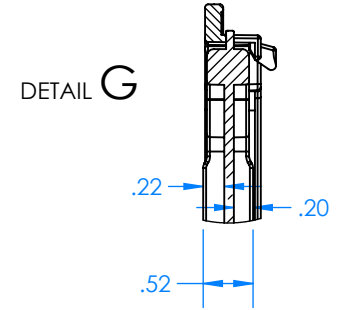
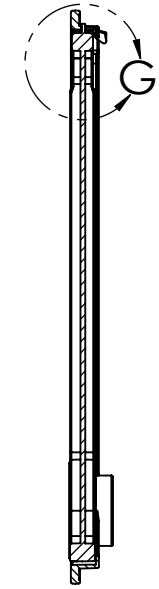
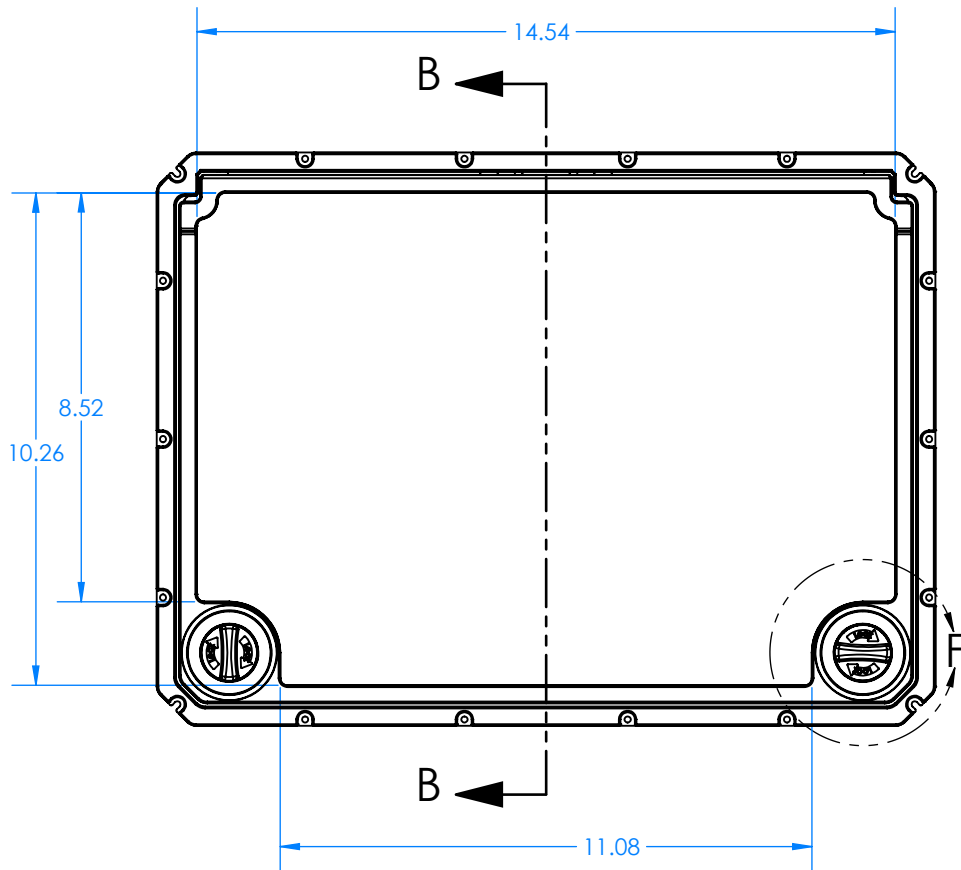


PL  
PLASTIC LOCK

ML  
METAL LOCK

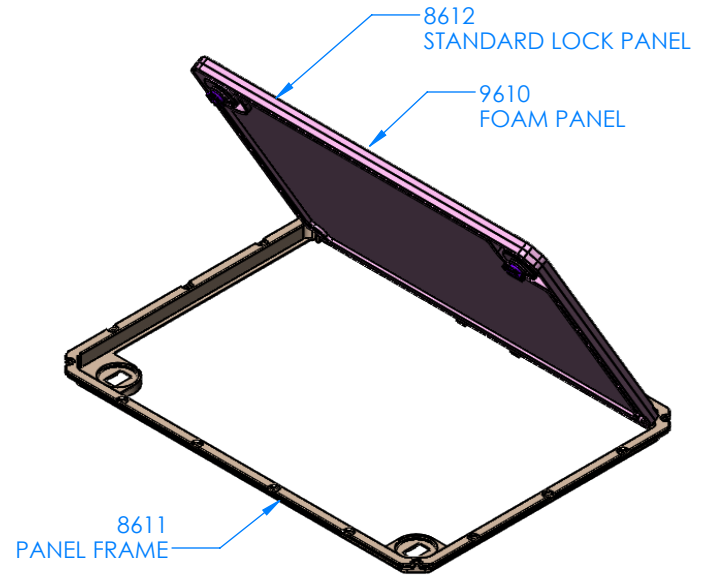
### NOTES:

- 1) Maximum usable inside dimensions are:  
15 13/16" X 11 5/8" X 6 11/16" (6 1/4" top of boss)  
Dimensions are approximate.
- 2) Bosses on bottom use a 1/4" self tapping screw.
- 3) Dimensions to bottom of panel flange.
- 4) Optional latches available.



STANDARD LOCK  
DETAIL F

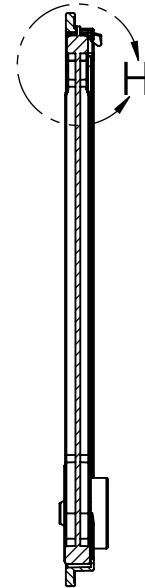
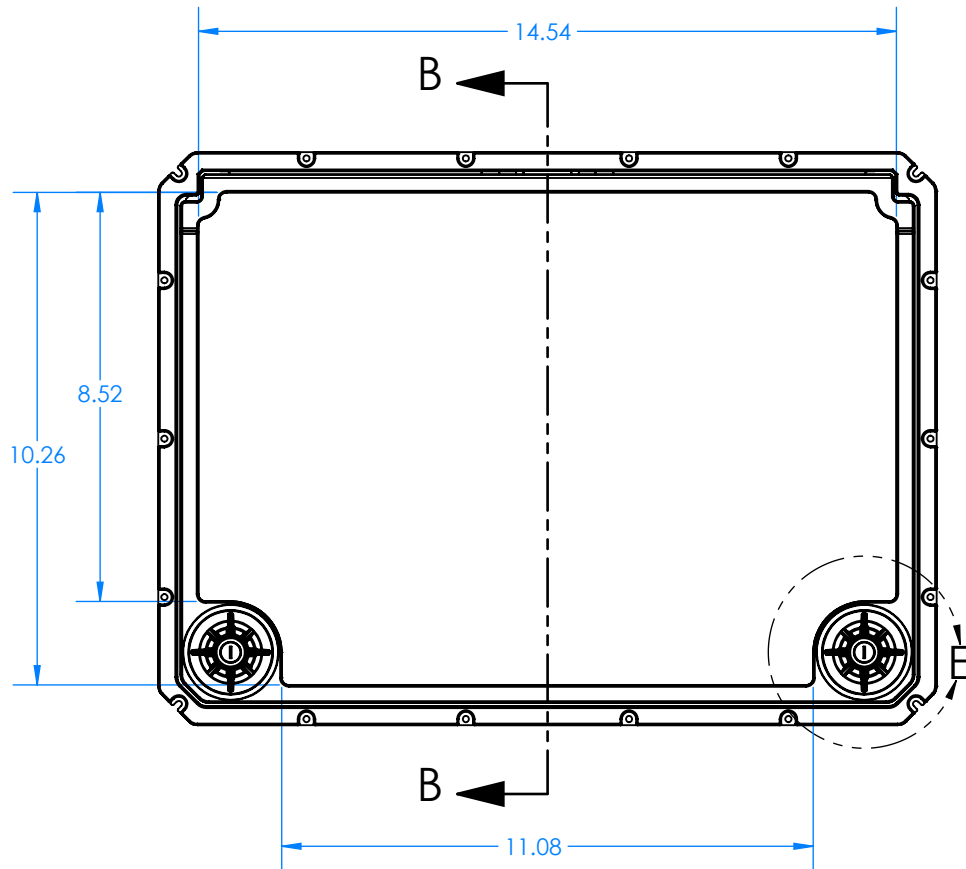
Optional Metal Lock  
Panel System available.  
See page 3.  
Optional foam available.  
Call to inquire.



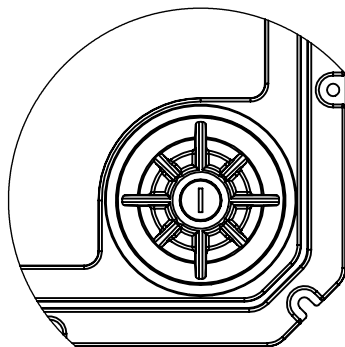
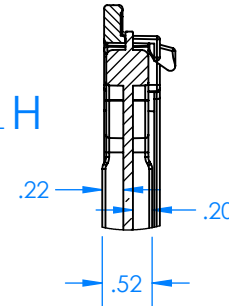
**NOTES:**

- 1) Maximum usable dimensions are: 14.54" X 10.26".
- 2) Panel systems is mountable on the top or bottom of the case.
- 3) Mounting hardware (screws) are included.

# SERPAC Electronic Enclosures 8610ML Metal Lock Panel System

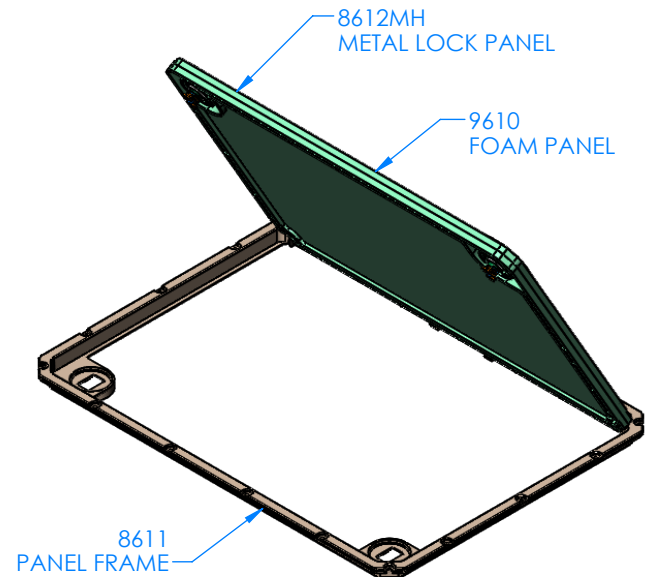


DETAIL H



METAL LOCK  
DETAIL E

Optional Standard Lock Panel System available. See page 2.  
Optional foam available. Call to inquire.



**NOTES:**

- 1) Maximum usable dimensions are: 14.54" X 10.26".
- 2) Panel systems is mountable on the top or bottom of the case.
- 3) Mounting hardware (screws) are included.