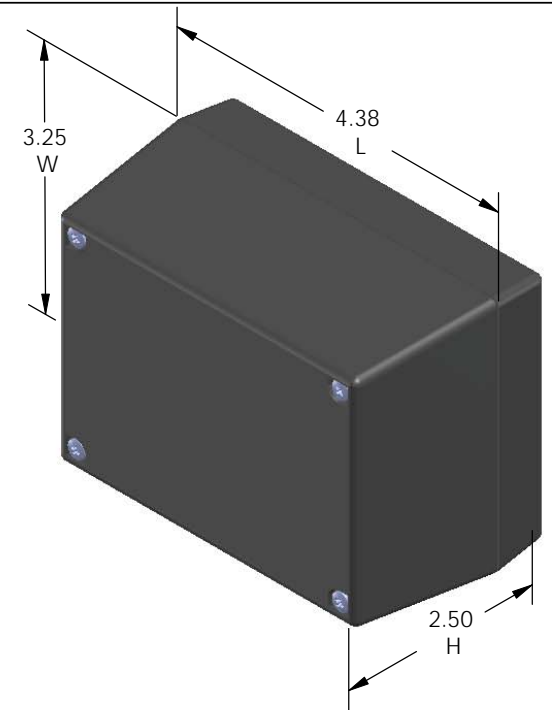


# SERPAC 133Ri (3D exploded)

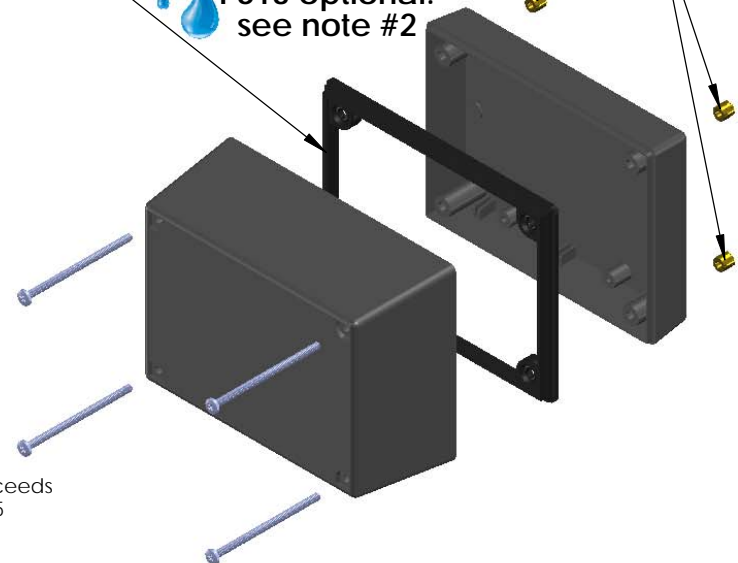
Electronic Enclosures

- Click on image to show toolbar. Use to Play/Pause Animation.
- Left click and drag on image to move 3D model.



Threaded inserts only have to be assembled the first time.

Water proofing gasket  
PS13 optional.  
see note #2



### 3D model options:

- Zoom in & out with center wheel.
- Pause at any moment to view and or print views.
- Change the views to ortho and section views if needed from the Views pull down menu.
- Explore options included in the tool bar like: Views, Transparency of model, Lighting type, etc.

PART NO.	DESCRIPTION (Included)	ACCESSORIES (Optional)	
PART NO.	DESCRIPTION	PART NO.	DESCRIPTION
3-3Ri	TOP	PS13	Perimeter Seal
13	BOTTOM	330	Prototype Grid Circuit Board
6019	4-40 SCREW (4)	430	Prototype Clad Circuit Board
6102	THREADED INSERTS (4)		

Notes: Enclosure weight .26 lbs / 120 gm

- 1) Enclosure meets or exceeds IP40 and NEMA 1
- 2) When used with PS13 the enclosure meets or exceeds IP 67 and NEMA 4X, 12 and 13 MIL-STD-810G 506.5
- 3) Circuit Board drawings can be download at:

Top:

[http://www.serpac.com/Accessories/CircuitBoard/drawings/X33\\_CB.pdf](http://www.serpac.com/Accessories/CircuitBoard/drawings/X33_CB.pdf)

Bottom:

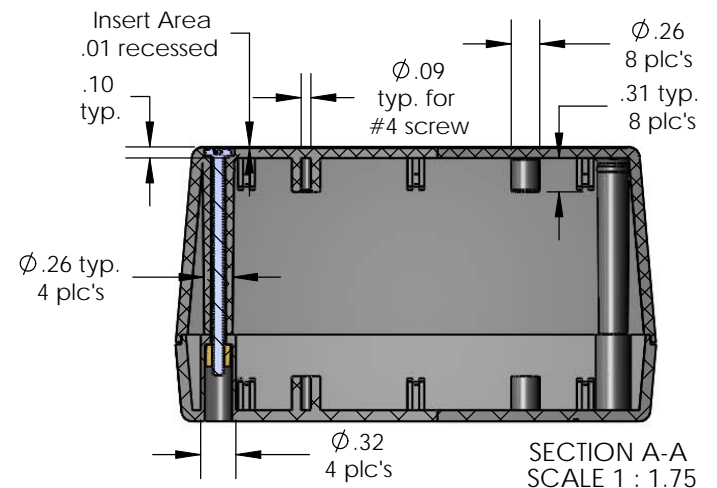
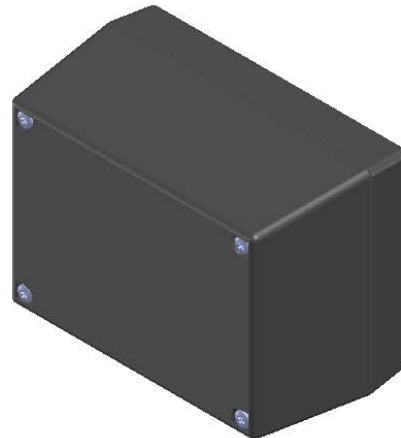
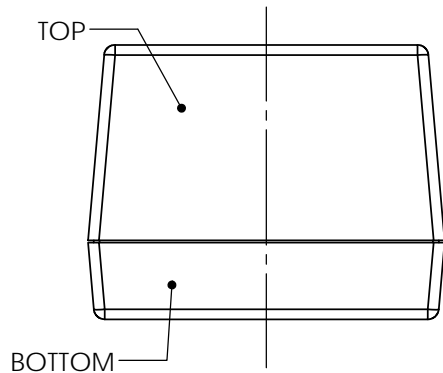
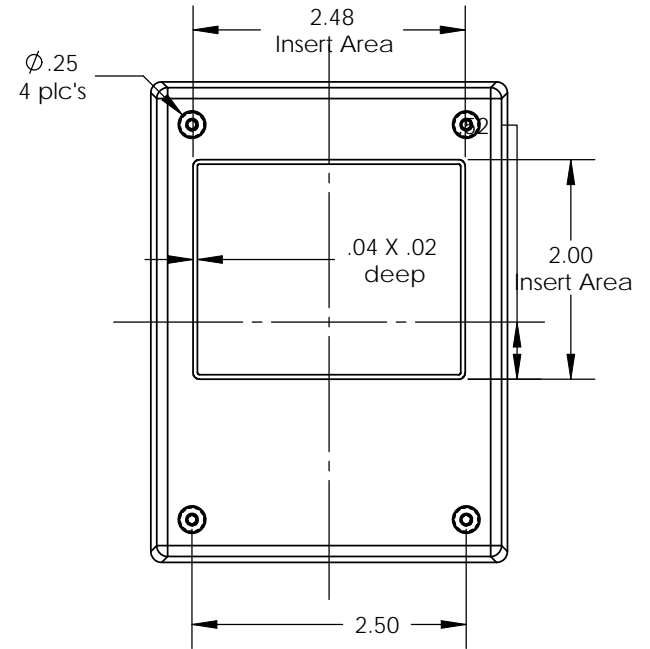
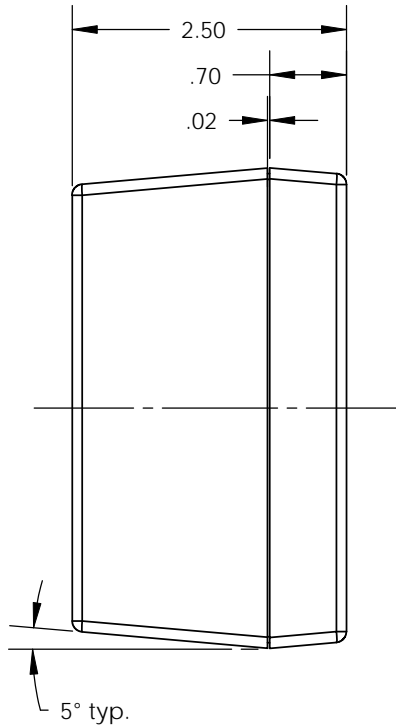
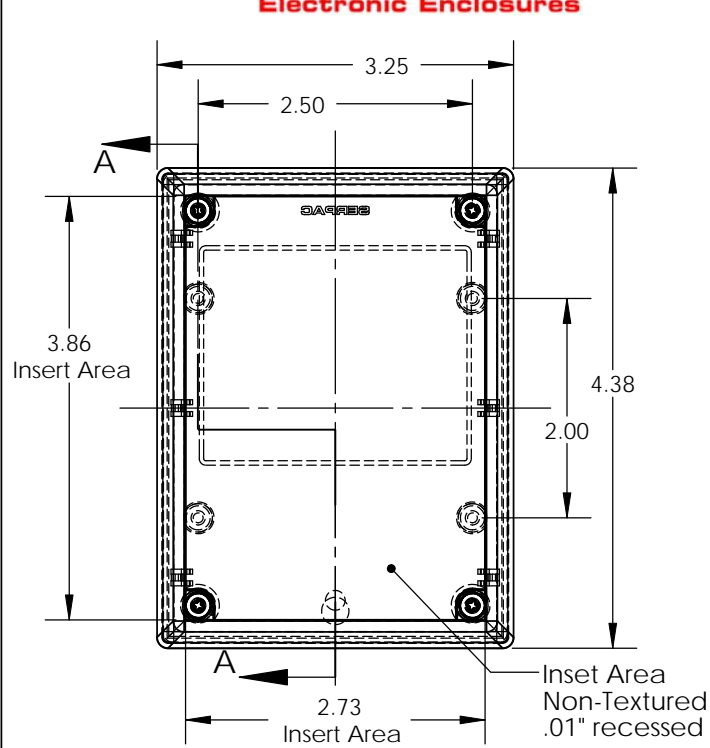
<http://www.serpac.com/Accessories/CircuitBoard/drawings/330-430-cbg.pdf>

- 4) All components are RoHS Compliant.

ALL DIMENSIONS ARE ±.010" 7/29/10 (1 of 2)  
2009 Wright Ave. La Verne, CA 91750  
Ph. (626) 331-0517 Fx. (626) 331-8584 serpac.com

# SERPAC 133Ri (user print)

Electronic Enclosures



- Notes: Enclosure weight .26 lbs / 120 gm  
 1) Enclosure meets or exceeds IP40 and NEMA 1  
 2) When used with PS13 the enclosure meets or exceeds IP 67 and NEMA 4X, 12 and 13 MIL-STD-810G 506.5  
 3) Circuit Board drawings can be download at:  
 Top: [http://www.serpac.com/Accessories/CircuitBoard/drawings/X33\\_CB.pdf](http://www.serpac.com/Accessories/CircuitBoard/drawings/X33_CB.pdf)  
 Bottom: <http://www.serpac.com/Accessories/CircuitBoard/drawings/330-430-cbg.pdf>  
 4) All components are RoHS Compliant.

PART NO.	DESCRIPTION (Included)	ACCSESSORIES (Optional)	
3-3Ri	TOP	PART NO.	DESCRIPTION
13	BOTTOM	PS13	Perimeter Seal
6019	4-40 SCREW (4)	330	Prototype Grid Circuit Board
6102	THREADED INSERTS (4)	430	Prototype Clad Circuit Board